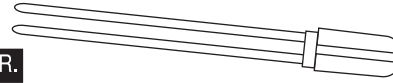


The Madison Premium Mailbox Post #MAD700BZ / #MAD700NW / #MAD700BK

INSTALLATION INSTRUCTIONS / INSTRUCCIONES DE INSTALACION

WARNING: CHECK FOR UNDERGROUND CABLES OR PIPES BEFORE DIGGING.
ADVERTENCIA: CHEQUE PARA CABLES O TUBOS SUBTERRÁNEOS ANTES DE CAVAR.

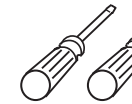
RECOMMENDED TOOLS & SUPPLIES:
 HERRAMIENTAS & ABASTECE RECOMENDADAS:



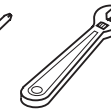
Post Hole Digger
 Excavadora de Hoyo



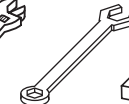
Concrete
 Concreto



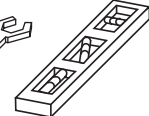
Phillips & Slotted Head Screwdrivers
 Destornilladores



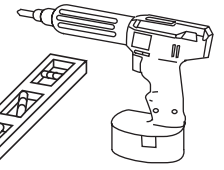
Adjustable Wrench
 Llave Ajustable



3/8" Wrench
 3/8" Llave



Level
 Nivel

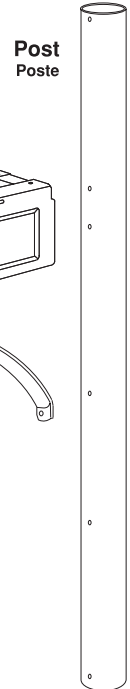


CORDLESS DRILL RECOMMENDED FOR SELF-THREADING SCREWS
 TALADRO INALAMBRICO RECOMENDADO PARA TORNILLOS

PARTS / PARTES:



Finial
 Florón



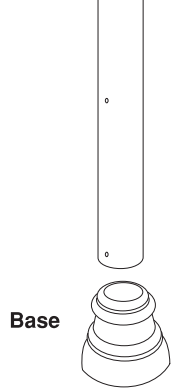
Post
 Poste



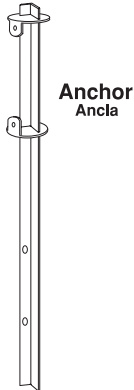
Newspaper Holder
 Compartimiento Periódico



Support Scroll
 Apoyo



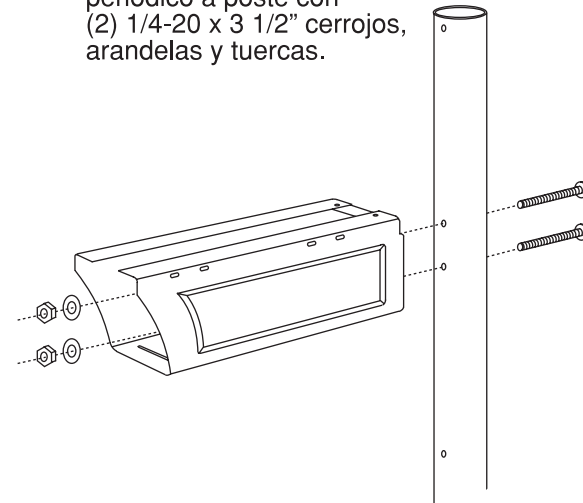
Base



Anchor
 Ancla

1 Attach newspaper holder to post with (2) 1/4-20 x 3 1/2" bolts, washers and nuts.

Conecte compartimiento periódico a poste con (2) 1/4-20 x 3 1/2" cerrojos, arandelas y tuercas.

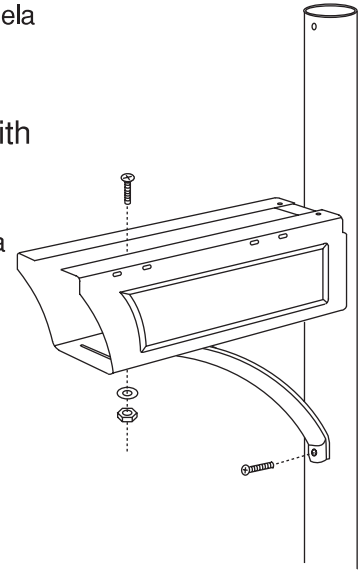


2 a Attach support scroll to newspaper holder with (1) #10-24 x 1" screw, washer and nut.

Conecte apoyo al compartimiento periódico con (1) #10-24 x 1" tornillo, arandela y tuerca.

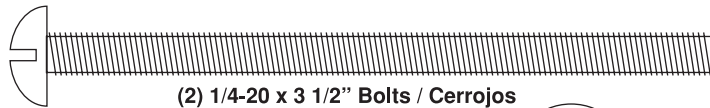
b Attach other end of support scroll to post with (1) #12 x 1" self-threading screw.

Conecte otro fin de apoyo a poste con (1) #12 x 1" tornillo.



Note: Extra hardware may be included.

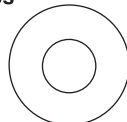
Hardware Shown Actual Size



(2) 1/4-20 x 3 1/2" Bolts / Cerrojos



(2) 1/4-20 Hex Nuts / Tuercas



(2) 1/4" Washers / Arandelas



(1) #10-24 x 1" Screw / Tornillo



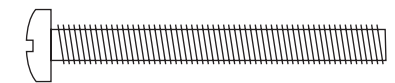
(5) #10-24 Hex Nuts / Tuercas



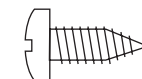
(1) #12 x 1" Self-Threading Screw / Tornillo



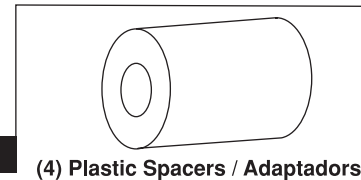
(1) #10 Washer / Arandela



(4) #10-24 x 1 3/4" Screws / Tornillos



(4) #12 x 1/2" Self-Threading Screws / Tornillos

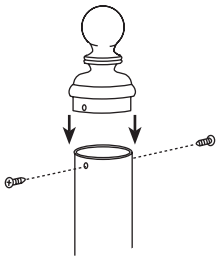


(4) Plastic Spacers / Adaptors

3

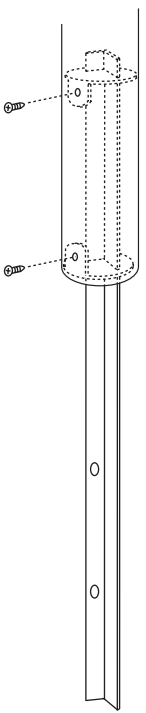
Attach finial to post with (2) #12 x 1/2" self-threading screws.

Conecte florón a poste con (2) #12 x 1/2" tornillos.

**4**

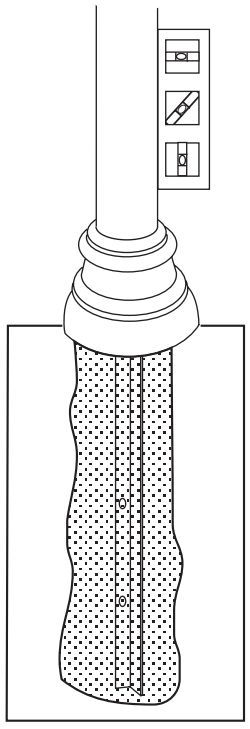
Slide anchor into post and secure with (2) #12 x 1/2" self-threading screws.

Resbalar la ancla en el poste y conecte con (2) #12 x 1/2" tornillos.

**5**

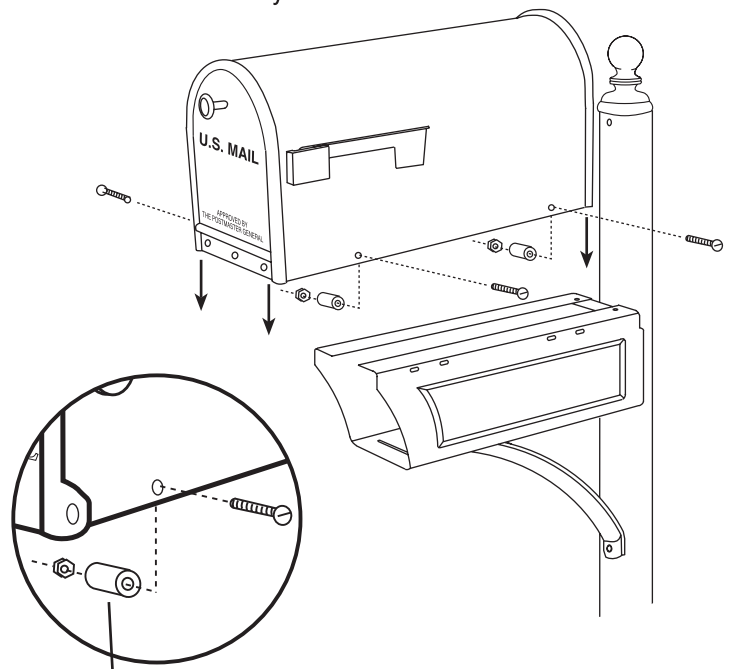
Dig a hole 20" deep and 9" in diameter. Fill with concrete (follow manufacturer's instructions for mixing.) Slide post and anchor through base and into hole. Level and allow to cure 24 hours.

Excavar un hoyo 20" profundo y 9" dia. Llenar con concreto y agua (seguir fabricantes instrucciones para mezcla.) Deslice poste y ancla por la base y en el hoyo. Nivel y permitir que coloque 24 horas.

**6**

Attach mailbox to newspaper holder with (4) #10-24 x 1 3/4" screws and nuts.

Conecte buzón al compartimiento periódico con (4) #10-24 x 1 3/4" tornillos y tuercas.



Use plastic spacers for large size mailboxes.
 Uso adaptadores plásticos si instalando un buzón grande.